

Daewoo Frs2021Ial Manual

File Name: Daewoo Frs2021Ial Manual.pdf

Size: 1465 KB

Type: PDF, ePub, eBook

Category: Book

Uploaded: 13 May 2019, 16:48 PM

Rating: 4.6/5 from 593 votes.

Status: AVAILABLE

Last checked: 19 Minutes ago!

In order to read or download Daewoo Frs2021Ial Manual ebook, you need to create a FREE account.

[**Download Now!**](#)

eBook includes PDF, ePub and Kindle version

[Register a free 1 month Trial Account.](#)

[Download as many books as you like \(Personal use\)](#)

[Cancel the membership at any time if not satisfied.](#)

[Join Over 80000 Happy Readers](#)

Book Descriptions:

We have made it easy for you to find a PDF Ebooks without any digging. And by having access to our ebooks online or by storing it on your computer, you have convenient answers with Daewoo Frs2021Ial Manual . To get started finding Daewoo Frs2021Ial Manual , you are right to find our website which has a comprehensive collection of manuals listed.

Our library is the biggest of these that have literally hundreds of thousands of different products represented.



Book Descriptions:

Daewoo Frs2021Ial Manual

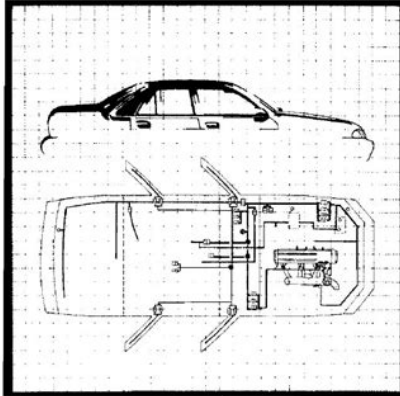


Post your question here in this forum. We're committed to dealing with such abuse according to the laws in your country of residence. When you submit a report, we'll investigate it and take the appropriate action. We'll get back to you only if we require additional details or have more information to share. Note that email addresses and full names are not considered private information. Please mention this; Therefore, avoid filling in personal details. Please enter your email address. This cutsize shelf is designed to fit almost any refrigerator. It's replacement is. Prices subject to change. Errors and omissions. To find out what cookies we use and why we use them, click here. If you are happy to continue, click here. You can find below all available languages for the user guide of your device. Simply click on the download button to access your manual. Depending on the size of the pdf, downloading may take a minute. You must have a PDF reader software on your computer to view the manual, if this is not the case, you will find below utilities to install depending on your operating system. As the situation develops, deliveries may take longer. As the situation develops, deliveries may take longer. More details. Prices subject to change. You can choose whether to manage these or allow them all. View Cookie Policy. You can choose whether to manage these or allow them all. See our cookies page for more information. For example they're used to recognise you when you return to our website. If you do not allow these cookies then some or all of these services may not function properly. We use this data to customise the marketing content you see on websites, apps and social media. They also help us understand the performance of our marketing activities. These cookies are set by us or our carefully selected third parties. Imagine that this responsive datasheet is included in the product page of your webshop. How to integrate Icecat LIVE JavaScript. <http://fillyourplate.org/upload/call-of-duty-modern-warfare-2-xbox-360-manual-pdf.xml>

- **daewoo frs-2021ial manual, daewoo frs-2021ial service manual, daewoo frs-2021ial manuale italiano, daewoo frs2021ial manual, daewoo frs2021ial manual pdf, daewoo frs2021ial manual download, daewoo frs2021ial manuals, daewoo frs2021ial manual online.**

ELECTRICAL WIRING DIAGRAM

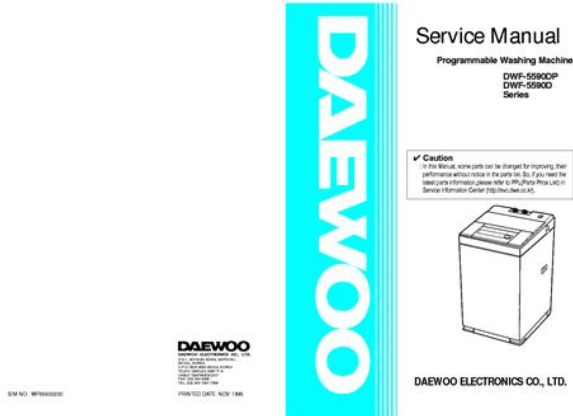
NEXIA
CIELO
RACER II



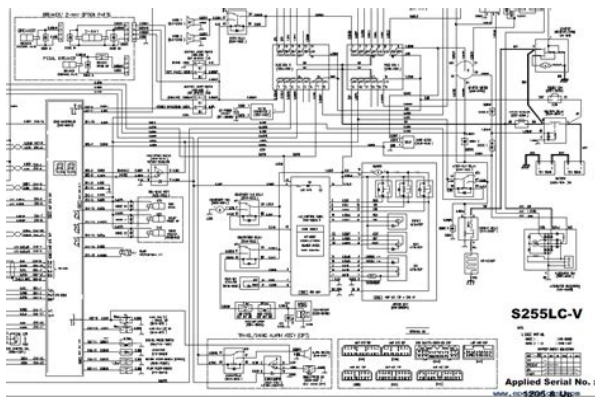
 DAEWOO MOTOR CO., LTD.

p01.tif

A manufacturer can have multiple brand names. Some manufacturers license their brand names to other producers. Product name is a key part of the Icecat product title on a product datasheet. Multiple product codes can be mapped to one mother product datasheet if the specifications are identical. We map away wrong codes or sometimes logistic variants. But the datasheet is not yet standardized by an Icecat editor. Total net capacity 585 L. Fridge net capacity 370 L. Freezer net capacity 215 L. Width 925 mm, Depth 816 mm, Height 1.81 mm Please contact your account manager at Icecat. As Full Icecat channel partner login to see all product data or request a Full Icecat subscription. If you continue to use this site we will assume that you are happy with it. As the situation develops, deliveries may take longer. More details As the situation develops, deliveries may take longer. More details Once you've found the Daewoo spare part you need, we can get it to you fast. This cutsize shelf is designed to fit almost any refrigerator. It. This replacement is. Prices subject to change. You can choose whether to manage these or allow them all. Sorry, the file and page you requested ha. Professional authors step by step guide to provide you all the technical Daewoo FRS2041EAL. Language Czech 1.74 Mb, Dutch 1.77 Mb, Producer Daewoo;; Pages quantity 12;; Repair manual FRS2021EAL, FRS202. To Rapidly Download the Daewoo FRS 2021 FRS 2041 REFRIGERATOR SERVICE Manual please click on the Download Button above. Log in We need to verify that you are not a robot generating spam. Ironic that ice build up will prevent the fridge from working. In my case I could access the coils by removing the panel at the back of the freezer on a maytag side by side. You then have to remove the ice let it melt away, do not try to cut it out. if you do you could damage the coils and there goes the fridge. In my case the problem was caused by a thermostat that was faulty. Easy to replace and all works good. <http://www.soshost.com.br/files/usr/news/call-of-duty-world-at-war-wii-game-manual.xml>

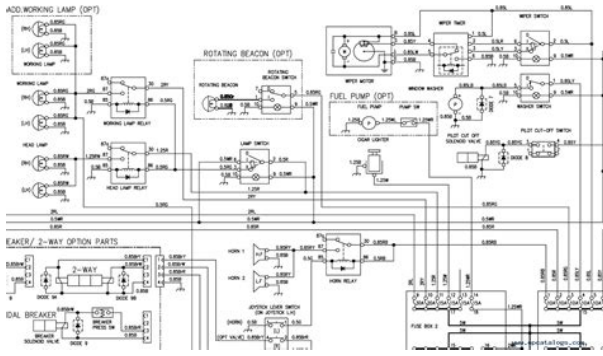


Another issue could be a circuit board located in the top part of the fridge section. I ended up replacing both parts. It took me about 2 hours to do. It helps if you can get a diagram of the inside of your fridge. Unfortunately, as you can see, this board is not available to retail customers, only to authorized repair shops. You will be forced to call one for a home visit. Login to post Freezer is not self defrosting and fridge isnt maintaining a cold temperature The timer controls a heating element designed to melt off ice build up on the interior freezer coils. Open the freezer door for a minute and then, without shutting it, press the button on the inside that makes the light go out. The fan at the back at the top of the freezer should start whirring. This circulates the freezing air. If it doesnt start then thats your problem as the freezing air isnt getting to the top of the freezer. Its simple enough to replace. Buy a new part 30 pounds and replace from the inside by removing the back panels to the freezer. Turn the freezer off and unplug first though, obviously. Hope this helps. The fan in the upper section of the freezer has been diagnosed as being faulty. It powers up and compressor will come on when they contacted us pushed in. But it does not seem to be getting a call to come on. What can I check now Answer questions, earn points and help others.

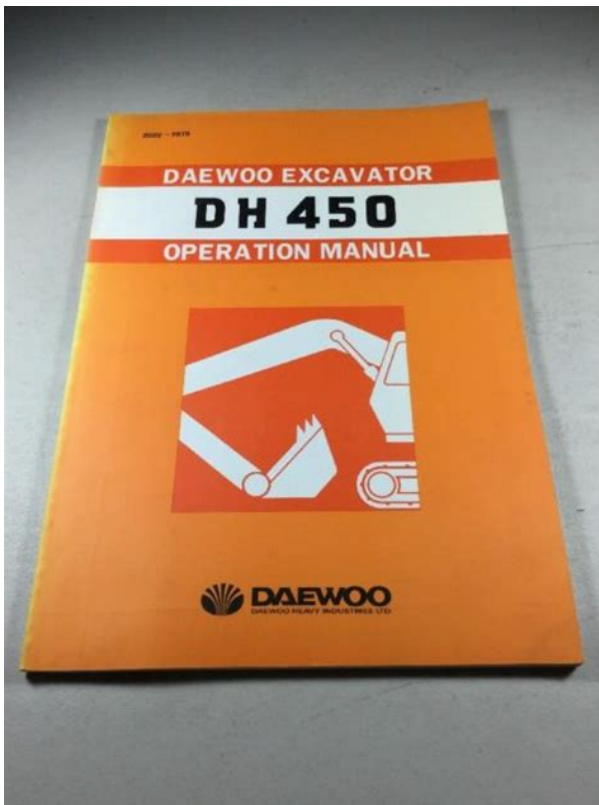


<https://skazkina.com/ru/boss-cx650-manual>

<http://demenagementlandry.com/images/Digifant-2-Manual.pdf>



<https://www.dermatina100.gr/images/Digiflex-Vision-64-Installation-Manual.pdf>



<https://avenirpourtous.fr/wp-content/plugins/formcraft/file-upload/server/content/files/1628a873a08e04---Canon-laser-class-830i-user-manual.pdf>

<http://www.bouwdata.net/evenement/boss-cx2500d-manual>