



File Name: cable come along manual.pdf

Size: 1345 KB

Type: PDF, ePub, eBook

Category: Book

Uploaded: 8 May 2019, 21:33 PM

Rating: 4.6/5 from 575 votes.

Status: AVAILABLE

Last checked: 8 Minutes ago!

In order to read or download cable come along manual ebook, you need to create a FREE account.

[**Download Now!**](#)

eBook includes PDF, ePub and Kindle version

[Register a free 1 month Trial Account.](#)

[Download as many books as you like \(Personal use\)](#)

[Cancel the membership at any time if not satisfied.](#)

[Join Over 80000 Happy Readers](#)

Book Descriptions:

We have made it easy for you to find a PDF Ebooks without any digging. And by having access to our ebooks online or by storing it on your computer, you have convenient answers with cable come along manual . To get started finding cable come along manual , you are right to find our website which has a comprehensive collection of manuals listed.

Our library is the biggest of these that have literally hundreds of thousands of different products represented.



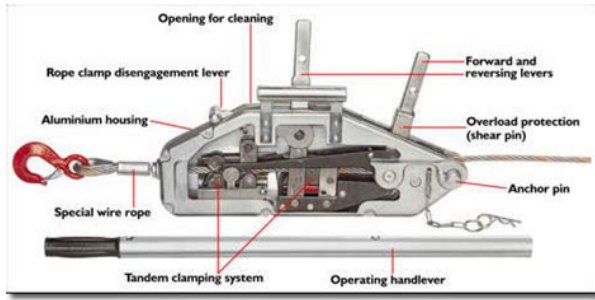
Book Descriptions:

cable come along manual



Our brochures provide part number listings, hoist features and specifications and ordering information. If we built your hoist we can repair it. We are fully stocked with all your hoist parts and have an experienced hoist repair department. Please try again. Hooks and gears are zinc plated to prevent corrosion and rust. Perfect for construction, home, farms and automotive use. Portable hand winch helps you pull the car, boat, trailer easily. Create a free account Towing Capacity 4 Tons Usage Auto, Boat, Trailer, Construction Package Content 1 x Hand Winch Amazon calculates a product's star ratings based on a machine learned model instead of a raw data average. The model takes into account factors including the age of a rating, whether the ratings are from verified purchasers, and factors that establish reviewer trustworthiness. Please try again. Hooks and gears are zinc plated to prevent corrosion and rust. Perfect for construction, home, farms and automotive use. In order to navigate out of this carousel please use your heading shortcut key to navigate to the next or previous heading. Create a free account Towing Capacity 4 Tons Usage Auto, Boat, Trailer, Construction Package Content 1 x Hand Winch Amazon calculates a product's star ratings based on a machine learned model instead of a raw data average. The model takes into account factors including the age of a rating, whether the ratings are from verified purchasers, and factors that establish reviewer trustworthiness. Please try again later. Mr T Jones 4.0 out of 5 stars Used it for pulling out garden hedge, did it with ease. The handle is not comfortable to use, but a pair of gloves helps. Specifications. Load capacity 2Ton, 4Ton Optional. Size as the picture. Weight Approx. 2238g 2T, 4768g 4T. Package included Percentage off and savings amounts are based on the sellers reference price. <http://www.festihutireland.com/uploads/devilbiss-nebulizer-3655dx-manual.xml>

- **cable come along manual, cable come along manual, cable come along manual pdf, cable come along manual download, cable come along manual free, cable come along manual youtube, cable come along manual.**



Sellers are not required to provide a reference price, but if they do, it should be a the Manufacturers Suggested Retail Price MSRP or similar List Price of the product; or b the price at which the item has been recently offered for sale and for a reasonable period of time. We want you to be completely satisfied with your purchase on Wish. Return all products within 30 days of delivery if they are not up to your satisfaction. Please read the Privacy Policy. This site is protected by reCAPTCHA and the Google Privacy Policy and Terms of Service apply. Log In Sign Up Forgot password. Log In or Facebook Google By clicking Log In, Facebook or Google you agree to the Wish Terms of Use. Our payment security system encrypts your information during transmission. We don't share your credit card details with thirdparty sellers, and we don't sell your information to others. Used Like NewPackaging will be damaged.Something we hope youll especially enjoy FBA items qualify for FREE Shipping and Amazon Prime. Learn more about the program. Please try again.Please try again.In order to navigate out of this carousel please use your heading shortcut key to navigate to the next or previous heading. Register a free business account Please try your search again later.This tool uses a stellar ratcheting gear pulley system to pull heavy loads with one handed operation. Ideal for construction, farming and other projects around home, the TEKTON 5541 2Ton Power Puller comes with safety latch hooks that are selfclosing for secure use.Corrosionfree, this tool has an allsteel construction that is built to last. For added durability and safety, the steel gear and locking pawl are laminated.Make tasks simpler and save more time with this tool by TEKTON.The hardened one piece frame allsteel construction with a corrosionresistant galvanized finish is built to last. For added durability, the steel gear and locking pawl are laminated. The highleverage, 17 in.<http://andrelandberg.com/userfiles/devilbiss-ncs2-manual.xml>



To calculate the overall star rating and percentage breakdown by star, we don't use a simple average. Instead, our system considers things like how recent a review is and if the reviewer bought the item on Amazon. It also analyzes reviews to verify trustworthiness. Please try again later. Mike hunt 1.0 out of 5 stars Never ran into that issue before so wasn't aware it was engineered so horribly mind you first time using , so after I noticed I couldn't force it back out and I had limited tools with me, so after that the red handle slipped off wile I was cranking away cutting my hand, I'll be honest I was giving up hope at this point and thinking on calling the old lady to bring the truck but I would rather bleed then hear her raddle her mouth off on why she had to drive a hour so I kept clicking away, right when I was starting to make head way no joke the cable snapped and almost hit me in the jaw and the car slid back into its ruts at this point I mildly lost hope and was going to sleep in the car but then I remembered. When I felt this thing when it came in the mail a bit back I realized it's probably junk and bought another one from " fleet farm ", it's a complete different brand and thank

the lord I did, a hour later I was free. I don't recommend buying this, and if you do. Today I did get stuck, and I pulled this out of my van to use for the first time. Oh big mistake. Waiting to need it before trying to use it that is. There is a U shaped bit of metal that presses against the spooled cable I suppose to keep the cable from unraveling. Please look at the attached photo. The area circled in red is where the first bit of the cable is trapped between the U shaped bit of metal and the spool. Notice that the U shape is pressed against the tooth. This metal against the tooth prevents the spool from unrolling. In the photo I have worked for about 30 minutes already pushing here and there with a screwdriver to try to free the cable.

I decided before I went any further I should take a photo. After the photo it took me another 5 10 minutes to get it broken free. Once free it worked as expected and I was able to get myself out of trouble. So, if you chose to purchase this item make VERY sure you take it out and try to use it before you need to use it. I am not sure if I freewheeled the spool correctly, seemed awkward, but I got it to release and hooked it up and it worked as it should. You should definitely wear gloves. I am not sure what part I touched but it sliced a chunk of skin. Once gloves were on, tree saver was hooked up, and the tow strap was on the four wheeler I picked up the slack. Eventually with the slack out of the lines it moved my four wheeler which was highcentered on a stump in mud with relative ease. This was cheap insurance and I appreciated having it because the alternative would have taken hours. I was out in 10 minutes, 9 minutes was setup and take down. Easy. I was using it to pull welded wire fence with a couple of tow straps. On the second pull once under moderate tension the release button was so tight it could not be depressed by hand. I attempted to use pliers to push it, but the cheap metal tab bent before it disengaged. I had to bypass it with a screwdriver to directly disengage it. On the third pull part of the metal wire slipped into the gearing and froze the whole darn thing permanently. Absolutely useless. Was using in tandem with sets of towing straps wrapped about other trees, with their total load capacity well below the full two ton rating of this device. After multiple uses, the two main bushings had severe damage to their bearing surfaces, and the weld joining the spool together failed. If this product is rated for even 1 ton of regular use, I received one that was defective, because multiple internal parts failed with light use. The cord wouldnt move in or out. It might be user error, but it shouldnt be that difficult to use.

05/19/2011

Ins-30150-US Net2 Caller ID/GSM Access Reader



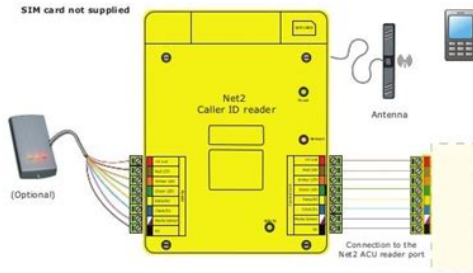
Technical Support

1.800.672.7298

support@paxton-access.com

Technical help is available: Monday - Friday from 02:00 AM - 8:00 PM (EST)

Documentation on all Paxton products can be found on our web site - <http://www.paxton-access.com/>



Due to the regional and local requirements for specific cell phone coverage you will need to purchase the SIM card required for your area. For example, Verizon or AT&T. Most electronics stores, such as Best Buy and Fry's Electronics, carry SIM cards.

WHAT YOU NEED TO LOOK FOR:

1. SIM Card that works for UNLOCKED phones.
2. SIM Card Service that allows automatic charging.
3. The service with lowest monthly payment because the unit does not extract any minutes off the plan. The best plan is the fewest minutes and the most months.

The SIM Card Service will provide the Phone number that you will call to access the Caller ID reader.

FCC Compliance

This device complies with Part 15 of the FCC Rules. Operation is subject to the following two conditions: (1) this device may not cause harmful interference, and (2) this device must accept any interference received, including interference that may cause undesired operation. Changes or modifications not expressly approved by the party responsible for compliance could void the user's authority to operate the equipment.

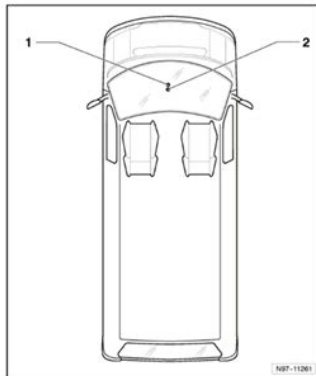
<https://www.informaquiz.it/petrgenesis1604790/status/flotaganis21032022-1353>

Amazon did right by me and refunded both purchases. After following all the steps in the manual it was impossible to release the cable so it could be used. I finally found the answer in one of the Amazon Reviews of the product by Kent Extremely frustrating but this will only work when you have 2 strong men and a steady tree. My 30 days warranty had elapsed so I could not return it. Don't waste your money on this. If you are going to use one a lot, you will likely want to get something of better quality, but for the occasional job I used it to pull trees away from my house, as I downed them it will work fine. Puller now useless and warranty is gone. Perhaps the double gear model would hold on to the task. Took it apart and had it welded back in place. Had more angled welding spots done on both inner sides of barrel to lead the cable toward the center. Works well for now. Sorry, we failed to record your vote. Please try again. Installing it was all but impossible because of the misaligned sprocket and it was no help recovering the vehicle which I bought it for. No clear contact to use the lifetime warranty makes this tool a total waste of money. Doing waste your money. I will revise this rating if the company steps up. Changed to 4 stars because of the speedy pain free warranty replacement at Felton.com. Shipped the same day at their cost I sent an email about the defect! Sorry, we failed to record your vote. Please try again. The replacement unit is much better, but it's still a bit difficult to unwind the first foot or so of wire due to the tension springs. I expect it'll loosen up over time. That being said, the unit is well built and seems quite sturdy. The price is quite reasonable at Amazon. Something similar in quality at local stores would cost at least two to three times more. Overall I'm happy with the purchase. Sorry, we failed to record your vote. Please try again. The second arrived in a box even more destroyed than the first.

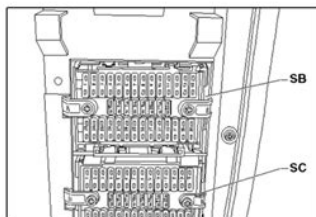
<http://8forwine.com/images/breitling-navitimer-a24322-manual.pdf>

Transporter**Fitting Locations****No. 803 / 1**
Edition 02.2010**Interior fuses (SB and SC)****Overview of fuse carrier**

- 1 - Fuses (SB) on fuse holder B, in centre of dash panel
 - Location → chapter
 - from March 2003 → chapter
 - from June 2004 → chapter
 - from August 2006 → chapter
 - from November 2007 → chapter
- 2 - Fuses (SC) on fuse holder C, in centre of dash panel
 - Location → chapter
 - from March 2003 → chapter
 - from June 2004 → chapter
 - from August 2006 → chapter
 - from November 2007 → chapter

**Fuse (SB) on fuse holder B****Location:**

- In the upper fuse box on centre of dash panel
- Fuse colours
- 40 A - blue
 - 30 A - green
 - 25 A - white
 - 20 A - yellow
 - 15 A - blue
 - 10 A - red
 - 7.5 A - brown
 - 5 A - beige



file:///C:/ElsaWin/docs/ulp/N/en-GB/K00589850803.htm

24/01/2014

But we got the job done with some adjustments to the parts. Sorry, we failed to record your vote. Please try again Jai trouve l'outil fonctionnel, mais de qualite moyenne. Le cable d'acier restait parfois coincé dans le mecanisme de l'outil, ce qui en compliquait l'utilisation. Sorry, we failed to record your vote. Please try again Hopefully will never need to use it. Sorry, we failed to record your vote. Please try again Safe and strong. Used it to recover Massey Ferguson 165 with loader probably 8000lbs. Sorry, we failed to record your vote. Please try again Sorry, we failed to record your vote. Please try again Used it along with some longer straps to dislodge a fallen tree hanging dangerously between 2 others. Made the job safe. Sorry, we failed to record your vote. Please try again Mais c'est fort comme un boeuf!!! Sorry, we failed to record your vote. Please try again Used grade 70 chain. Sorry, we failed to record your vote. Please try again Eventually had to hook up cable puller to tractor and car to get it to come loose. I don't know if it's me, but when I rewind cable, I can only go so far before it binds up. Otherwise, it did its job in pulling down a large cottonwood at the end of a cut. Sorry, we failed to record your vote. Please try again I already own a 1 ton and a 2 ton puller, were not adequate for the job, too small, both of them let me down. I bought this one, a 4 ton Tekton, a little wonder, the cable is larger, everything is stronger. Keep the puller greased and all is fine. If you don't know in advance what you may have to pull, go stronger the first time, it may weigh a bit more but it will do the job. I'm very happy with this tool. Sorry, we failed to record your vote. Please try again In order to navigate out of this carousel please use your heading shortcut key to navigate to the next or previous heading. Please try again. Please try again.

<http://www.fiskene.com/images/breitling-montbrillant-datora-instruction-manual.pdf>



In order to navigate out of this carousel please use your heading shortcut key to navigate to the next or previous heading. In order to navigate out of this carousel please use your heading shortcut key to navigate to the next or previous heading. Register a free business account Please try your search again later. Perfect for farm, ranch, and constructions. To calculate the overall star rating and percentage breakdown by star, we don't use a simple average. It also analyzes reviews to verify trustworthiness. Capable of safe and controlled, notch at a time letdown of large loads. With a maximum rated capacity of 4,000 pounds and a safe working load of 2,000 pounds, this power cable pull delivers incredible performance ideal for construction, landscaping, farm projects, recreational use, and much more. Constructed of a hardened all steel frame treated with a corrosion resistant, galvanized finish, this power puller is built tough to resist wear and will provide lasting use. Equipped with self-closing safety latch hooks for secure connections. Driver Recovery Products is a leading brand within the hitch rack and trailering market, widely recognized for excellence at providing a wide range of premium quality accessories that offer exceptional functionality at an affordable price. These winches are the absolute best value in the industry because they combine cutting edge design, top performance, superb build quality, and affordable, distributor direct pricing. This time period includes the transit time for us to receive your return from the shipper 5 to 10 business days, the time it takes us to process your return once we receive it 3 to 5 business days, and the time it takes your bank to process our refund request 5 to 10 business days. We will notify you via email of your refund once we've received and processed the returned item. For continental U.S. delivery, items weighing less than 13 oz. Internationally, most items ship via USPS First Class or Priority Mail.

Neither FedEx, UPS nor USPS guarantee their transit times, and delays do happen from time to time. We reserve the right to choose the appropriate shipping carrier and class for each order. When you place an order, we will estimate shipping and delivery dates for you based on the availability of your items and the shipping options you choose. Depending on the shipping provider you choose, shipping date estimates may appear on the shipping quotes page. We use cookies to ensure that we give you the best experience on our website. One end of the device is fixed to a pole, facade or similar immobile object. By moving the handle, the lever system is activated by which two special grips alternately tighten and pull the cable, with a constant pulling force of 60 daN. Mounting and use of the device is quick and easy. Explore 0 Description Heavy duty galvanized steel wire rope and metal construction guarantees the heavy load up to 4000 KG 4 Tons. Hooks and gears are zinc plated to prevent corrosion and rust. Non-slip rubbercoated handle provides permanent, comfortable grip and reduces hand fatigue. Double gear design locks on for evenly distributed force and easy to gauge notched pulling action. Powerful ratcheting system allows for one-handed operation when pulling

even the heaviest loads. 3 meters galvanized steel wire makes it flexible to deal with different situations. Perfect for construction, home, farms and automotive use. Imported from UK. Product Features. Condition 100% Brand New. Material Steel. Item Winch. Style ComeAlong Winch. Type Hand Tool. Feature 2 Gear 2 Hooks. Power Source Hand Operated. Cable Length 3M. Max. Towing Capacity 4 Tons. Usage Auto, Boat, Trailer, Construction. Package Content 1 x Hand Winch Show More Reviews Need help. We'd love to help you out. Mike Aguilar The Review Team 13 Products 9 Hours 12 Reviews How We Decided The Drive and its partners may earn a commission if you purchase a product through one of our links. Read more.

<http://adanateknikservis.web.tr/wp-content/plugins/formcraft/file-upload/server/content/files/1626f26fcd56---bosch-supplier-quality-manual.pdf>

PUBLISHED ON December 23, 2019 Comealong winches can be used for many jobs around your property and shop. They can be used to pull dents out of car panels and straighten bent frame extensions. People love them because comealong winches can be used to pull heavy objects such as stumps and help erect framing and roofs on structures small and large. Come along with us and check out our choices for the best comealong winches, all of which have at least 2 tons of pulling power. Pros Pros The steel cable is aircraftgrade for added strength. This cable puller winch has a notchatatime letdown feature so your load can't spring back or fall. It also has OSHAapproved safety latches on the hooks, so it won't accidentally break free at the wrong moment. Cons Cons Six feet of cable length puts you pretty close to the work area. Smaller winches have longer cable lengths. Some users report the winches bind under heavy loads and the notchatatime feature does not work under lighter loads. It will get most jobs done around the house, property, and shop. This hand winch works great as a dent puller. Pros Pros Comfortable nonslip plastic ratchet handle grips keep your hands from slipping even when hot and sweaty. It's precision fit, all loadbearing parts are made of highquality steel alloy. The onepiece alloy ratchet wheel provides years of troublefree use and safety. Cons Cons The cable isn't plastic coated, so care must be taken to ensure it doesn't fray. Users report their winches breaking under lighter loads, while others have reported the product arrived broken and the warranty was not honored. Best Value Maasdam Pow'R Pull 144SB6 Check Latest Price Honorable Mention Warn 88500 PullzAll Check Latest Price Summary Summary Warn is one of the most respected names in winches, and this one has an easy pushbutton operation. This heavyduty comealong winch has a no-load line speed of 13.8 feet per second, so it rewinds onto the spool quickly.

Pros Pros Warn winches to last long enough to be handed down at least once. Its oneton capacity makes lifting walls and roofs and pulling dents a snap. The variable speed trigger allows you to precisely place the load where desired. Cons Cons The company is American, but the winch is manufactured in China. This winch requires 120 volts AC. If you're off in the back 40, that means a superlong extension cable or a generator will be required. Customers report poor quality control and unit failure under light loads. Honorable Mention Warn 88500 PullzAll Check Latest Price Written by Mike Aguilar Published December 23, 2019 Comealong winches can be used for many jobs around your property and shop. Its designed for construction, automotive, landscaping, boating, camping, and vehicle recovery and rescue. It comes with steel alloy pawls and a safety spacer sleeve for consistent alignment. The nonslip plastic grip is comfortable. Also, the ratchet guard keeps your hands and clothing clear. The steel cable is aircraftgrade for added strength and has a notchatatime letdown feature so the load doesn't spring back or fall. One problem with this winch is that the 6foot cable length puts you rather close to the work area, and many smaller winches have longer cable lengths. Also, some users report the winches bind under heavy loads, and the notchatatime feature does not work properly under lighter loads. Best Value 2 Maasdam Pow'R Pull 144SB6 Check Latest Price This 2ton capacity winch includes features that are typically found on heavierduty winches. It works great as a dent puller, and the galvanized, aircraftquality cable is rugged and strong. The

nonslip plastic ratchet handle grips are very comfortable and prevent your hands from slipping even when they're hot and sweaty. Its precision fit, all loadbearing parts are made of high-quality steel and aluminum alloy. The one-piece alloy ratchet wheel is wear-resistant and provides years of trouble-free use and safety.

The product also includes a reinforced ratchet guard and durable heat-treated bolts. One issue with this come-along winch is that the cable isn't plastic coated. As a result, special care must be taken to ensure it doesn't fray. Some users also report that the winch fails under lighter loads. Others have complained that the winch arrived broken and the warranty was not honored. Honorable Mention 3 Warn 88500 PullzAll Check Latest Price Warn is a respected manufacturer of offroad equipment and accessories. This heavy-duty winch has an easy push-button operation. Its no-load line speed of 13.8 feet per second enables it to rewind onto the spool quickly. It's designed for use in auto shops, garages, construction, ironwork, equipment maintenance, machine shops, and more. Warn winches are so durable they're often handed down at least one time. This one's 1-ton capacity makes lifting walls and roofs and pulling dents simple. The variable speed trigger allows users to precisely place the load where desired, and the device features an electronic load limiter with an LED indicator. One downside with this product is the company is American, but the winch is manufactured in China. Also, this winch requires 120 volts AC. If you're in the woods, that means an extra-long extension cable or a generator may be required. In addition, some users report poor quality control and unit failure under light loads. Why Trust Us All of our reviews are based on market research, expert input, or practical experience with most products we include. This way, we offer genuine, accurate guides to help you find the best picks. Learn more Benefits of Come-Along Winches They lift heavy objects. Come-along winches use a ratcheting gear pulley system to help you lift, pull, and drag items that you wouldn't be able to move without assistance, such as a tree stump. They're very versatile. A come-along winch can be used for a variety of tasks.

People typically use them to lift vehicles or pull them out of a ditch, as well as on construction sites and for landscaping. They save time and prevent stress. It can be nerve-racking when you're stuck in a ditch or don't have the right equipment to move an unwieldy object on your property. If you invest in a come-along winch, you have it at the ready during emergencies, which reduces stress and saves you time. Types of Come-Along Winches Hand Cable Pullers The come-along winch was invented in 1919 by Abraham Maasdam of Deep Creek, Colo. Traditional come-along winches are also known as hand cable pullers or power pullers. They are hand-operated and use a ratchet to pull an object. They usually feature wire rope that wraps around a drum. The best come-along winches are sturdy with good-quality cables and ropes. They feature solid, galvanized anchor hooks that are corrosion-resistant. Electric units make it quick and simple to pull objects. They require less manual labor than traditional come-along winches or chain fall hoists. Electric come-along winches either feature an AC power cord or they're cordless. Some devices, such as models by PullzAll tools, can change from forward to reverse motion with the push of a button. The downside is, unless you have a cordless model, you must be near a power source to use one. Top Brands Warn Warn Industries, headquartered in Oregon, was founded in 1948 by Arthur Warn, who invented a locking hub system for Jeeps in World War II. The company manufactures offroad equipment and accessories for ATVs, utility vehicles, and four-wheel drive vehicles, including winches such as the Warn 88500 PullzAll. Maasdam Maasdam is a subsidiary of PullR Holding Company, which is based in Illinois. The Maasdam Pow'R Pull line is renowned in the industry and has been manufacturing cable strap and rope pullers since 1946. One of its top products is the Maasdam Pow'R Pull 144SB6. TEKTON This family-owned business is based in Michigan.

It produces a variety of tools, including hand-drive sockets and ratchets, impact sockets, wrenches, screwdrivers, and pliers. It also makes winches, including the highly-rated TEKTON 5541 2-Ton Power Puller. These units may have a lower weight capacity and shorter maximum pull lengths than

their pricier counterparts. If you want a 4ton comealong winch or one that's even larger, expect to pay a bit more money. These devices are usually made of highgrade steel and are designed to be very durable. **Key Features** **Lifting Capacity** Before buying a hand or electric comealong hand winch, check its lifting capacity or how much weight it is able to pull, lift, and drag. If you're only moving lightweight objects, then an average comealong winch should work just fine. However, if you need to move large, heavy loads, then look for something with a greater weight capacity. In order to prevent the device from breaking, choose one with a weight capacity that is much larger than the weight of the item you plan on moving. **Material** Not all comealong puller winches are built to the same standards. Some are made with stronger metals and materials that are higher in quality. The best comealong winches are designed with highgrade steel, which is able to tolerate heavy loads. Avoid brands that are made of cheap materials because they are more likely to fail. **Cable** A heavyduty comealong winch should come with a metal cable. These cables can vary in length and diameter, but they are typically braided or reinforced straps or ropes that are largely made of steel. Comealong cable winches with metal cables are generally more affordable than other types of cables. **Other Considerations** **SinglePiece Construction** If you plan on working on large projects, consider purchasing a comealong winch that is constructed out of a single piece. These types of devices are less likely to break because singlepiece comealong winches don't have as many breakpoints. This is important if you want to prevent failure.

Best Value **Maasdam Pow'R Pull 144SB6** Check Latest Price This 2ton capacity winch includes features that are typically found on heavierduty winches. **Honorable Mention** **Warn 88500 PullzAll** Check Latest Price Warn is a respected manufacturer of offroad equipment and accessories. **Tips** Make sure you firmly secure the winch hooks to your pulling location and your load. Incorrectly securing the hooks can cause them to slip. Keep the area between the winch, pulling location, and the load clear of all obstacles, especially you. Failure to do so can result in injury. Make sure your pulling or winching location is strong enough to pull from. Don't try and pull a bent frame out using a wall stud if you don't want to be standing in debris in your shop. Look for a ratchet puller with a steel frame. Aluminum makes for a lighter power puller but can bend more easily. **FAQs** **Q** What sort of placement accuracy can I expect with a comealong winch. **A** That largely depends on the winch and the load. With a powered winch, you can get an accuracy of less than an inch. With a manual winch, accuracy depends on the distance of the locking pawls. **Q** Can I use a comealong winch to pull stumps on my property **A** Yes. As long as you don't exceed the capacity of the winch and pay attention to safety procedures, stump removal is easy with comealong winches. **Q** Can I pull my car or truck out of a ditch with a comealong winch. **A** Yes, with provisions. **Q** I know shouldn't anchor to a stud to straighten a frame. What should I anchor to. **A** You should anchor to the floor of your shop. You need to measure the height of the piece being pulled and the angle at which it needs to be pulled and use concrete anchors to secure your pulling point to the floor of your shop and get it at the required height. **Final Thoughts** Our top pick for best comealong winch overall is the Maasdam Pow'R Pull 8000SB. This winch has enough capacity for most jobs big and small.

The Maasdam Pow'R Pull 144SB6, our pick for the best value comealong winch, is strong enough to pull stumps and get your car out of the ditch. **MORE TO READ** **RELATED** **Best Synthetic Winch Ropes** Top Picks for Towing and OffRoading Upgrade from an oldschool steel cable with a synthetic winch ropes **READ NOW** **RELATED** **Best Jeep Winches** Add More Power to Your Offroad Journeys Pull your Jeep, truck, or SUV out of any predicament with these tough winches **READ NOW** **RELATED** **Best ATV Winches** Our Top Picks for Making OffRoading Easier Find the right winch for your offroading needs with our handy guide **READ NOW** **RELATED** **Best Lift Kits** Boost the Height of Your Jeep, SUV, or Truck Increase your ride's ground clearance for better offroad performance with these top-rated lift kits **READ NOW** **RELATED** **Best OffRoad Jacks** Get Unstuck Fast It's always good to be prepared when driving offroad, so keep one of these top jacks in your vehicle **READ NOW** Shop the drive Tools to help you design, research and find the right car for you. All Rights Reserved. We

are a participant in the Amazon Services LLC Associates Program, an affiliate advertising program designed to provide a means for us to earn fees by linking to Amazon.com and affiliated sites.

<http://www.bouwdata.net/evenement/3m-manuals>